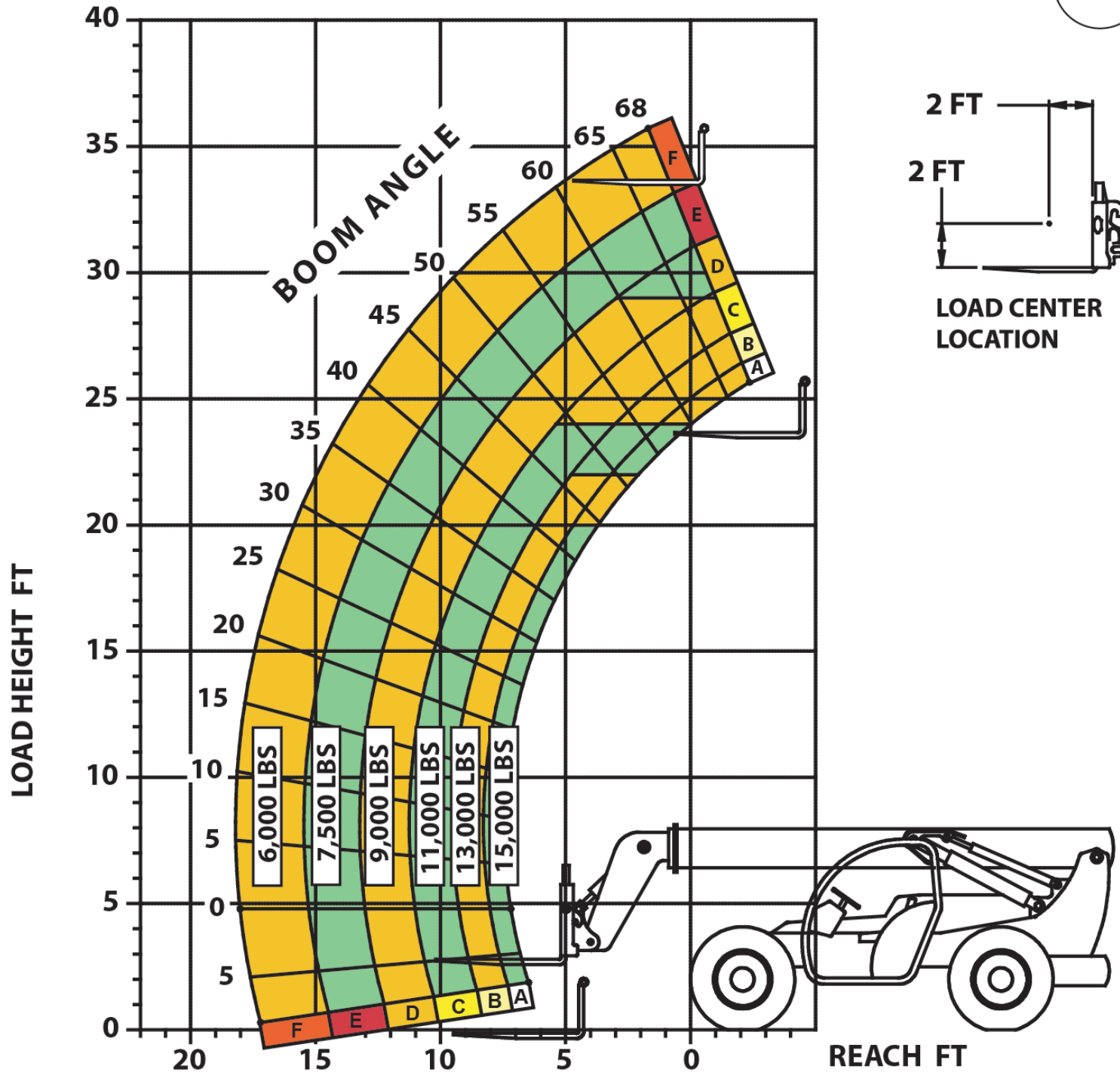


XR1534 LOAD CHART - FIXED CARRIAGE

LOAD RATINGS SHOWN ARE FOR VEHICLES EQUIPPED WITH FOAM FILLED TIRES ONLY.

7,500 LBS AT 24 IN MIN CAPACITY FORK (15,000 LBS PAIR).



XTREME
MANUFACTURING

702-636-2969 • 800-497-1704

P/N 17065-000