



Fig. 1 – Render model.

The davits is a portable suspension system for mounting on base plates permanently anchored fitted along the roof. A manual machine is used to erect the davit system. The mast it's fitted to the base plate by means of two pins.

The davit boom pivots to allow the cradle to be maneuvered over the parapet. The cradle is suspended from a small traversing trolley, which allows the movement of the cradle along the davit boom. The whole system can be dismantled for transport or for shifting along the roof from one base plate to the next.



1. DESCRIPTION OF THE EQUIPMENT:

MAIN COMPONENTS:

1. Mast.
2. Transport wheels.
3. Mast anchor pin.
4. Fixed base plate.
5. Lifting bracket anchor pin.
6. Remove lifting bracket.
7. Manual hoist with handle.
8. Lifting wire rope.
9. Raising winch basket.
10. Mast direction wheel.
11. Pivoting boom.
12. Traversing trolley with brake to fix position.
13. Lifting wire rope.
14. Safety wire rope.
15. Lever.

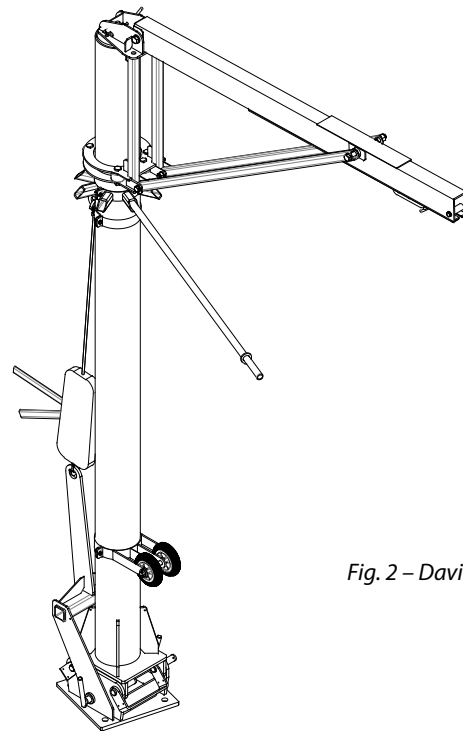


Fig. 2 - Davit.

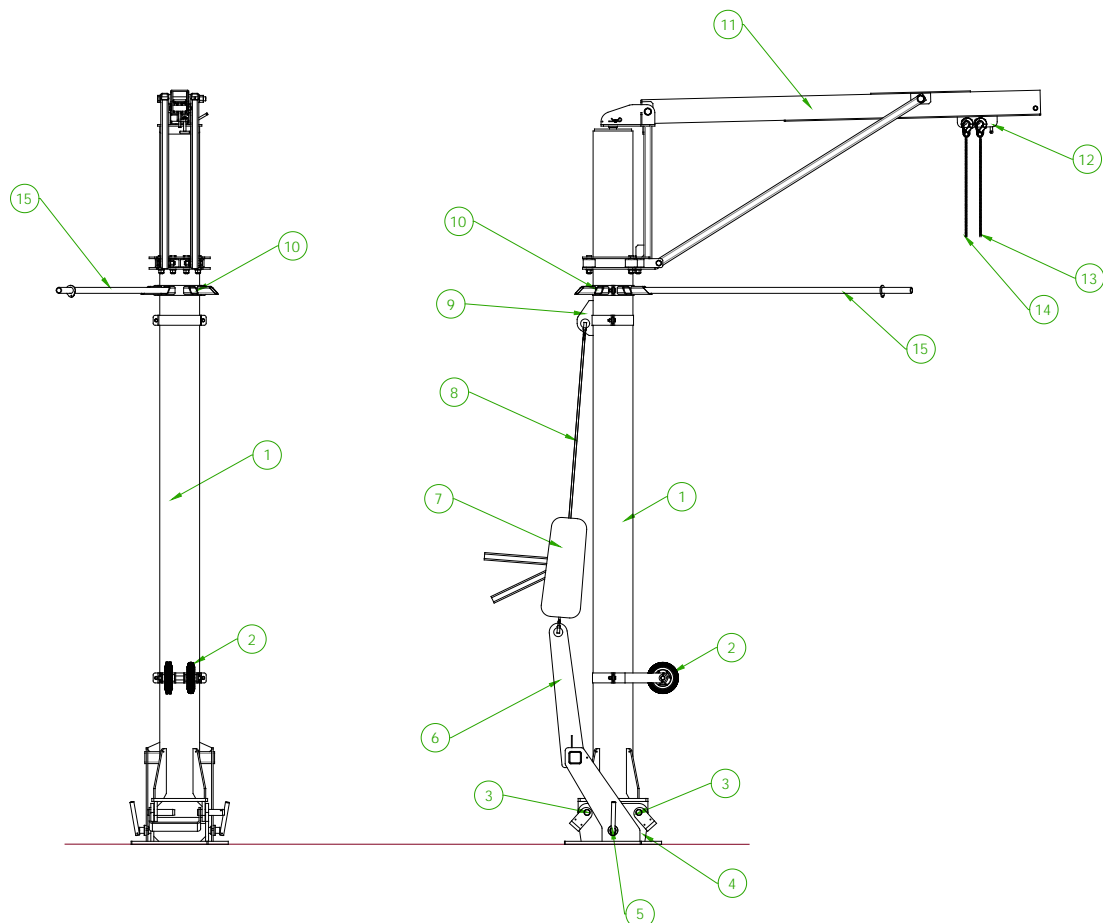


Fig. 3 - References.

2. SAFETY ADVICES:



1. Make sure the davit is in perfect conditions.
2. Check that the davit works smoothly without charge before making any work.
3. Do not use pulleys or improper accessories.
4. Do not use a cable that is inappropriate in terms of structure, strength or this defective.



REGULAR INSPECTIONS AND MAINTENANCE ARE REQUIRED.



AIR HUMIDITY: LESS THAN 80 %

DO NOT USE WITH WIND SPEED OVER THAN 50 KM/H

DO NOT USE IN UNSUITABLE WEATHER CONDITIONS.



CHEKING FOR OBSTRUCTIONS ALONG THE TRAVEL OF THE HOOK AND PLATFORM.

Note: The machine and all components described in this technical sheet can be modified any time by the manufacturer without prior warning.